



DRINKING FOUNTAINS

INSTALLATION/MAINTENANCE INSTRUCTIONS

A112J Series Cast Iron, 2 Station Drinking Fountain



Model: A112J00S

TECHNICAL ASSISTANCE TOLL FREE TELEPHONE NUMBER:
1.800.591.9360

Technical Assistance Fax: 1.626.855.4894

NOTES TO INSTALLER:

1. Please leave this documentation with the owner of the fixture when finished.
2. Please read this entire booklet before beginning the installation.
3. Check your installation for compliance with plumbing, electrical and other applicable codes.

LIMITED WARRANTY - UNITED STATES & CANADA

Murdock warrants that its products are free from defects in material or workmanship under normal use and service for a period of one year from date of original shipment or for 18 months after the date of shipment from the factory, whichever comes first. Murdock's liability under this warranty shall be discharged solely by replacement or repair of defective material, provided Murdock is notified in writing within one year from date of shipment, F.O.B. Industry, California.

This warranty does not cover installation or labor charges and does not apply to materials, which have been damaged by other causes such as mishandling or improper care or abnormal use. The repair or replacement of the defective materials shall constitute the sole remedy of the Buyer and the sole remedy of Murdock under this warranty. Murdock shall not be liable under any circumstances for incidental, consequential or direct charges caused by defects in the materials, or any delay in the repair or replacement thereof. This warranty is in lieu of all other warranties expressed or implied. Product maintenance instructions are issued with each unit and disregard or non-compliance with these instructions will constitute an abnormal use condition and void the warranty. Stainless steel must be protected on job site during construction and must be properly maintained after the water has been introduced into the water cooler or drinking fountain, or Murdock's limited warranty is void.

LIMITED EXPORT WARRANTY - One year on parts only.

Murdock assumes no responsibility for use of void or suspended data. © Copyright Murdock, City of Industry, CA Member of Morris Group International. Please visit www.murdockmfg.com for most current specifications.

COMPLIES WITH
STANDARDS



NSF/ANSI 61



Federal
Public Law
111-380
(No Lead)

Test rating conditions are
compliant with ARI 1010.



Member of
MORRIS GROUP
INTERNATIONAL

MURDOCK
15125 Proctor Ave.
City of Industry, CA
91746 U.S.A.
Phone 800-591-9360
626-336-4561
Fax 626-855-4894

www.murdockmfg.com
Date: 03/08/21

7020-100-001

Date: 03/08/21



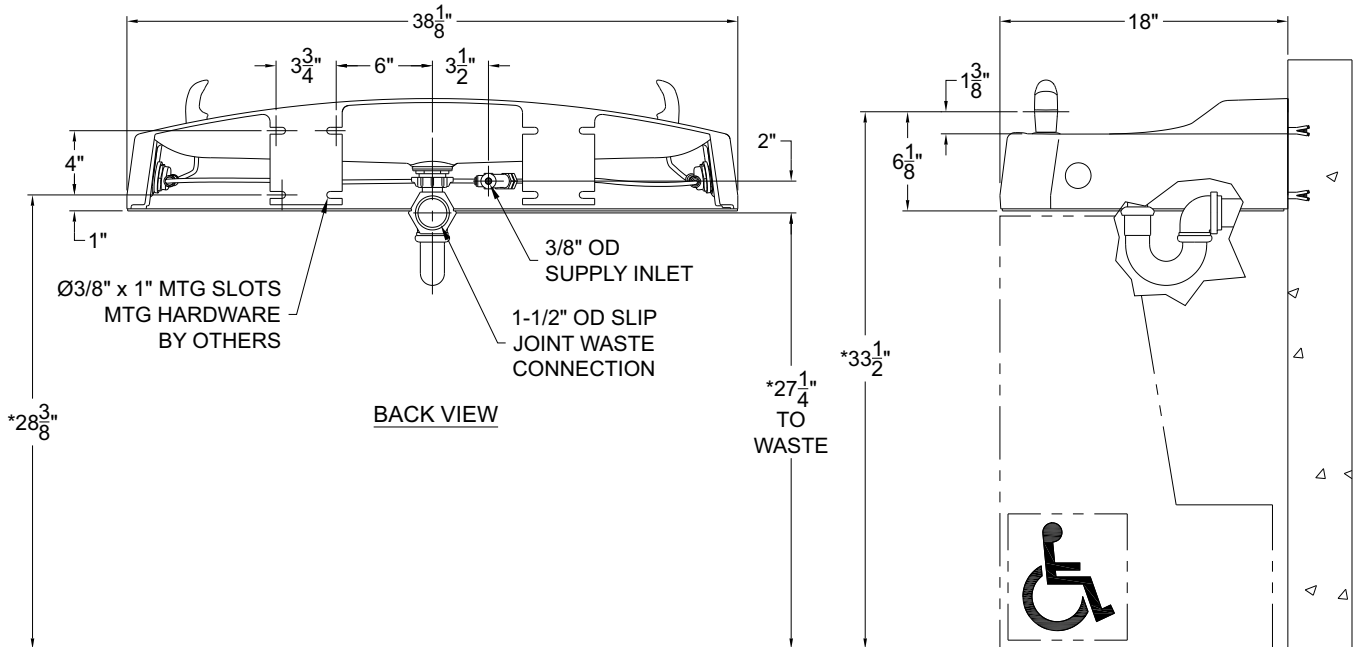
DRINKING FOUNTAINS

INSTALLATION/MAINTENANCE INSTRUCTIONS

ROUGHING-IN AND DIMENSIONAL DRAWING

Prior to roughing consult with local, state, and federal codes for proper mounting height.

A112J SERIES CAST IRON, 2 STATION DRINKING FOUNTAIN ROUGH-IN:



GENERAL NOTES:

1. ALL DIMENSIONS ARE IN INCHES [MM].
- *2. DIMENSIONS SHOWN ARE FOR RECOMMENDED ADULT HEIGHT, ADJUST VERTICAL DIMENSIONS AS NECESSARY TO COMPLY WITH FEDERAL, STATE & LOCAL CODES.
3. STOP VALVE NOT PROVIDED.



DRINKING FOUNTAINS

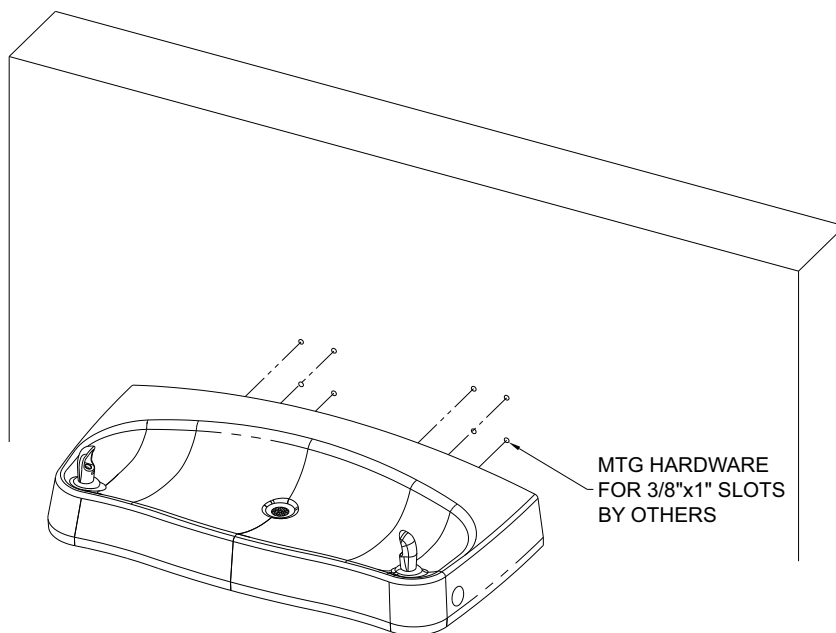
INSTALLATION/MAINTENANCE INSTRUCTIONS

IMPORTANT:

1. Water Supply is 3/8" copper tube. Waste is 1-1/2" IPS female slip joint connection.
2. Completely flush supply lines of all foreign debris before connecting to fixture. Optional water filter is available should there be problems from the water supply with taste, odor, color, or sediment.
3. **WARNING:** Warranty is voided if installation is not made following current Acorn Engineering Company Installation™ instructions and if components are assembled to the fixture that are not approved by Acorn Engineering Company™.
4. Fixture operates within water pressure range of 20 to 105 psig. Acorn Engineering Company™ will not warranty fixture damaged when connected to supply lines with flow pressure lower than 20 psig or higher than 105 psig. A pressure regulator must be furnished by others on supply line if inlet pressure is greater than 105 psig.

INSTALLATION:

1. Mark mounting hole locations in accordance with rough-in.
2. Remove bottom plate from unit to expose mounting holes, supply and waste lines.
3. Hang the fountain assembly using 3/8" hardware and anchors (supplied by others). Hanging hardware must attach to concrete or stud material to insure stability.
4. Thoroughly flush the supply line, connect water supply to the fountain.
5. Make up 1-1/2" IPS P-Trap waste connection.





DRINKING FOUNTAINS

INSTALLATION/MAINTENANCE INSTRUCTIONS

START UP:

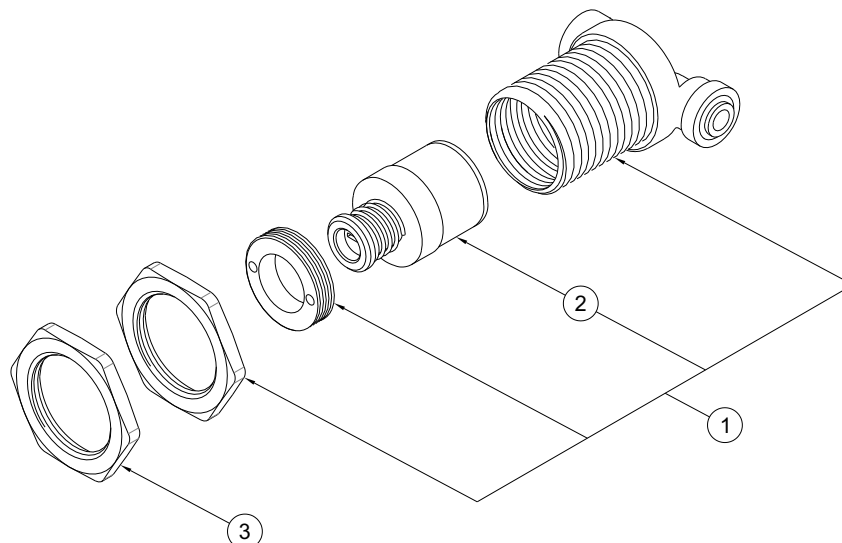
1. Before assembling bottom access cover to fountain. Turn on building water supply and check all connections for leaks.
2. Air within the supply piping will cause an irregular outlet stream until purged out by incoming water.
3. Recheck all water and drain connections with water flowing through system.
4. Install bottom access cover using supplied screws.

CLEANING & MAINTENANCE GUIDE:

1. Periodically remove access panels and clean out in-line strainer.
2. Do NOT use hard chemicals, abrasive or petroleum based cleaners. Use of these will void the Acorn warranty.
3. Exterior panels can be cleaned using mild household detergents or warm, soapy water. Extra care must be used cleaning chrome plated items and mirror finished stainless steel. They can scratch easily and should be cleaned using a clean, soft cloth and mild soap with water or mild glass cleaner.

CARTRIDGE VALVE PARTS BREAKDOWN:

ITEM	PART NUMBER	DESCRIPTION
1	7000-050-001	VALVE CARTRIDGE ASSEMBLY
2	7000-060-000	VALVE CARTRIDGE
3	7000-053-199	JAM NUT





DRINKING FOUNTAINS

INSTALLATION/MAINTENANCE INSTRUCTIONS

TROUBLE SHOOTING:

IMPORTANT: BEFORE MAKING ANY OF THE REPAIRS LISTED, MAKE SURE THE WATER SUPPLY VALVE IS SHUT OFF.

1. Adjustments:

- a. Cartridge - The flow can be adjusted using a slotted narrow blade screwdriver and turning clockwise to increase flow and counter clockwise to decrease flow.
- b. Bubbler stream - Bubbler can be rotated slightly to direct the stream backwards or forwards. Adjust the stream to minimize splashing. Splashing may occur from bubbler stream if the unit is not level.

2. Restricted or No Water Flow:

- a. Ensure water supply service stop valve is fully open.
- b. Verify minimum 20 psig supply line flow pressure.
- c. Check for twist or kinks in bubbler tubing.
- d. Check water inlet strainer. Sediment from the main supply can get trapped in the screen along with installation material such as pipe dope and flux. The screen should be cleaned and checked on a regular basis and replace if needed. **NOTE: STRAINER SCREEN MUST BE IN PLACE FOR WATER TO FLOW.**
- e. The cartridge valve located in the water control assembly or bubbler can also become clogged with foreign material. The cartridge valve can only be replaced and not repaired.
- f. Check flow adjustment.



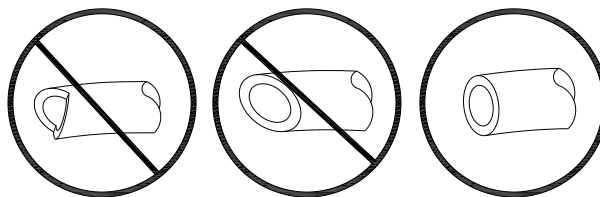
DRINKING FOUNTAINS

INSTALLATION/MAINTENANCE INSTRUCTIONS

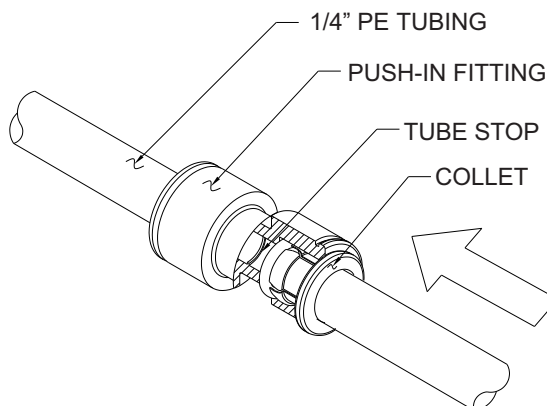
PUSH-IN FITTING INSTALLATION

NOTE: FITTINGS AND TUBE SHOULD BE KEPT CLEAN, BAGGED AND UNDAMAGED PRIOR TO INSTALLATION.

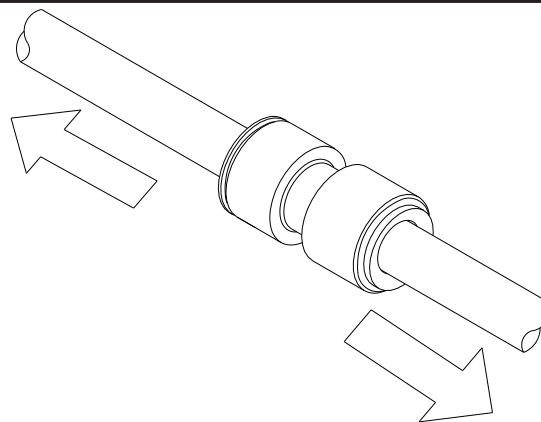
1. Cut to fit length of 1/4" PE tubing and remove any burrs or sharp edges. Ensure that the outside diameter is free from score marks. Tube ends should be square.



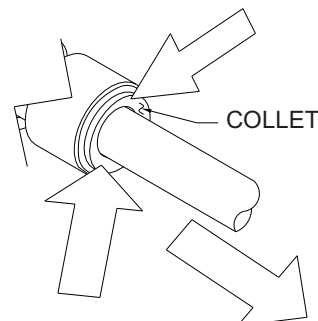
2. Firmly and fully insert the tubing end into the push-in fitting up to the tube stop located approximately 1/2" deep.



3. Pull on the fitted tubing to ensure it is secure. Tube should not come free from the fitting. Water test the connection assembly prior to leaving the site to ensure there are no leaks.



4. To disconnect the tube from the fitting ensure that the water supply is off. Push collet square towards the push-in fitting body and hold. While holding the collet in, pull on the PE tubing to remove from the push-in fitting.

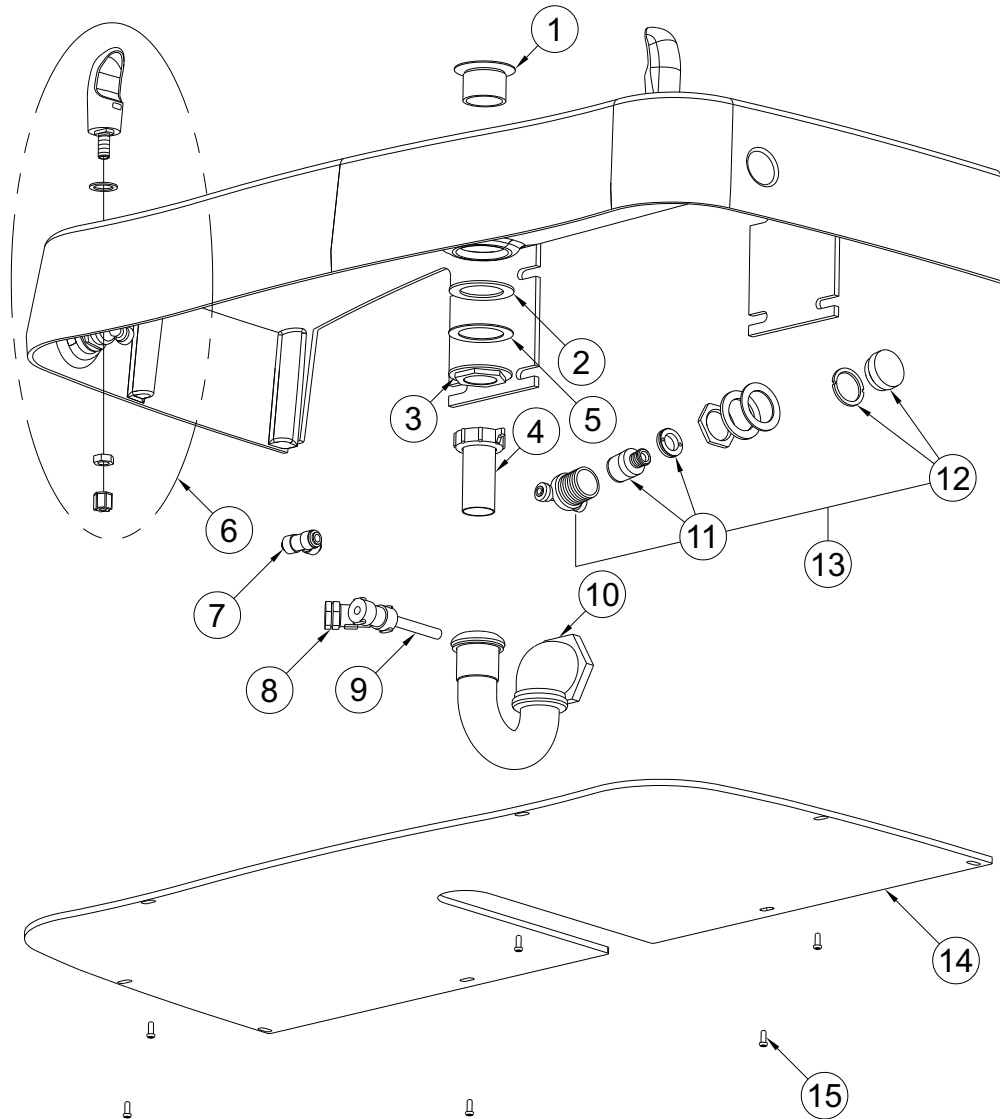




DRINKING FOUNTAINS

INSTALLATION/MAINTENANCE INSTRUCTIONS

PARTS BREAKDOWN DRAWING



ITEM #	PART #	DESCRIPTION
1	7000-018-199	1-1/4" NPSM GRID STAINER
2	0431-223-000	RUBBER GASKET, 1-11/16" ID x 2-1/2" OD x 3/32" THK
3	7000-020-199	1-1/4" NPSM FLANGE NUT
4	7000-032-001	1-1/4" x 2-3/4" DRAIN TUBE ASSY w/ PVC NUT
5	0411-025-000	DRAIN GASKET
6	7000-012-001	STN STL SOLID DRINKING BUBBLER ASSY
7	1895-710-000	1/4" PUSH-IN UNION TEE
8	7000-022-000	"Y" STRAINER
9	7000-023-199	1/4" NOM. COPPER TUBING, 2" LONG
10	4953-060-000	1-1/2" X 1-1/2" P-Trap
11	7000-060-000	FLOW REGULATOR CARTRIDGE (0.5 GPM)
12	7000-070-001	RECESSED PUSHBUTTON VALVE ASSY
13	7000-092-001	PUSHBUTTON ASSY
14	7006-202-199	BOTTOM ACCESS COVER
15	0112-002-000	#10-32 x 1/2" S/S HEX C/R BTN HD SCREW